

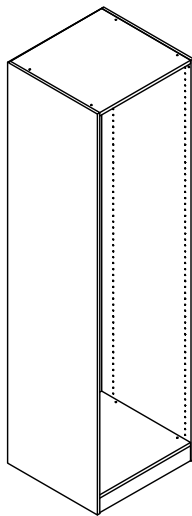
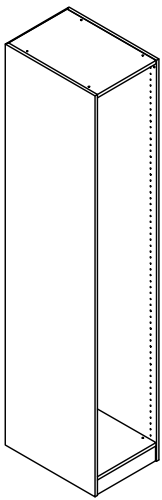
kvik 

Module 16 Mounting instruction

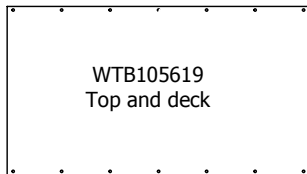
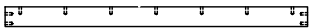


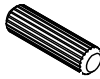

Example:

40 cm cabine

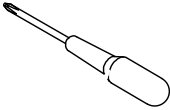
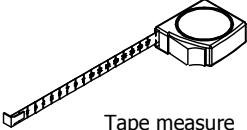
60 cm cabine



Flex part - Module 16

 <p>WTB105619 Top and deck</p> <p>2 pcs</p>	 <p>WPL106416 Plinth</p> <p>2 pcs</p>		
 <p>Angle 8 pcs</p>	 <p>Screw flh 3,5x15 mm 16 pcs</p>	 <p>Dowel 8x30 mm 6 pcs</p>	 <p>Glue 15 gr 1 pcs</p>

Tools

 <p>Screw driver cross</p>	 <p>Tape measure</p>
---	---

Template for marking up flex part

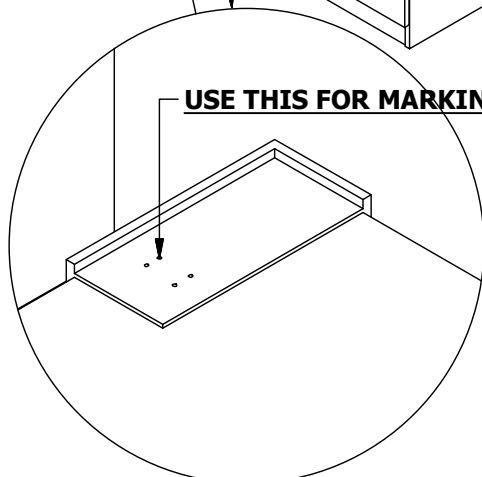
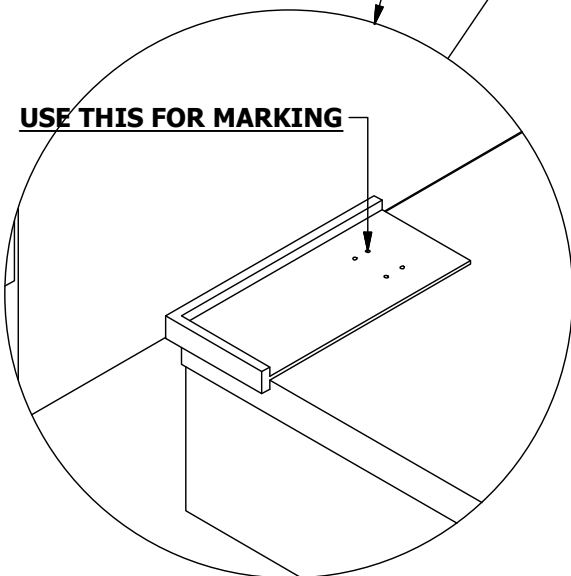
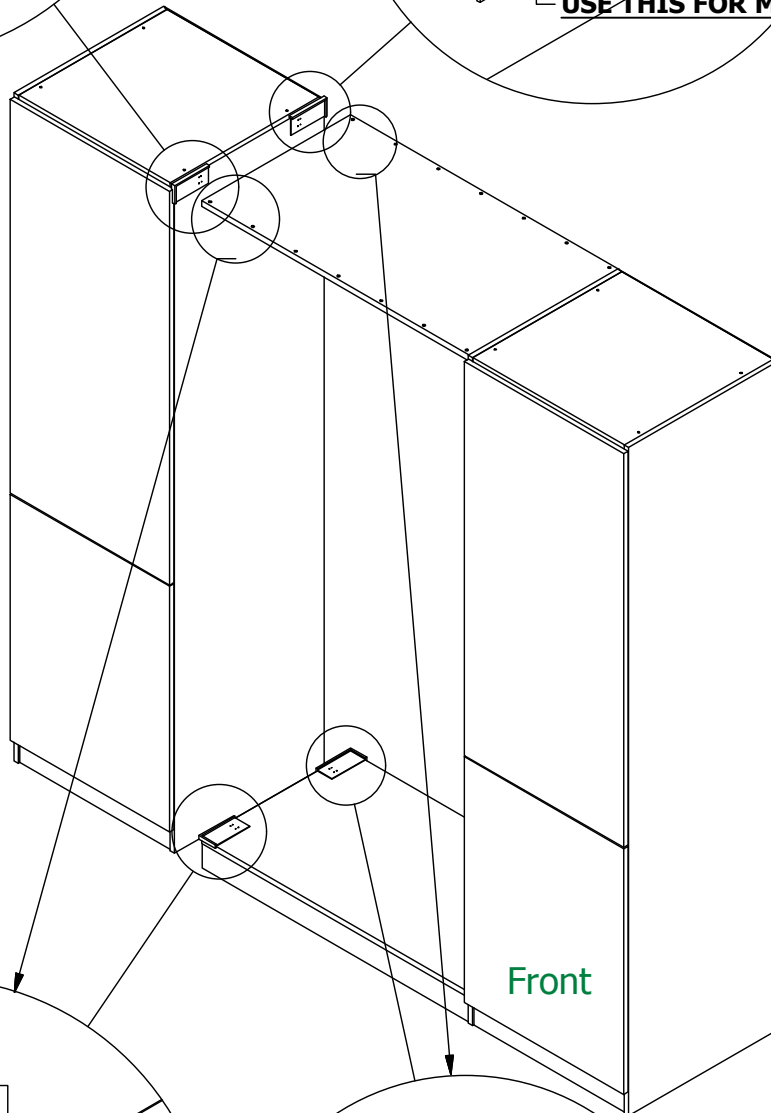
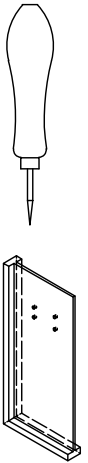
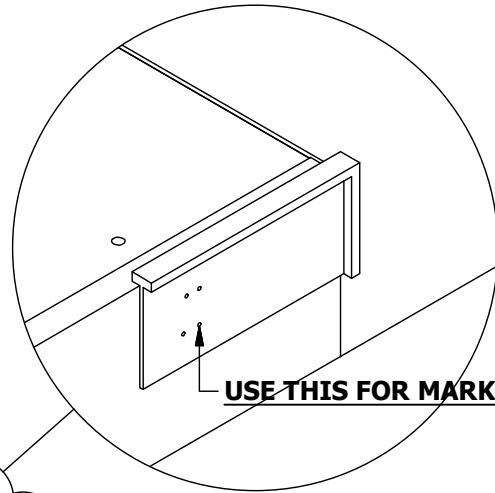
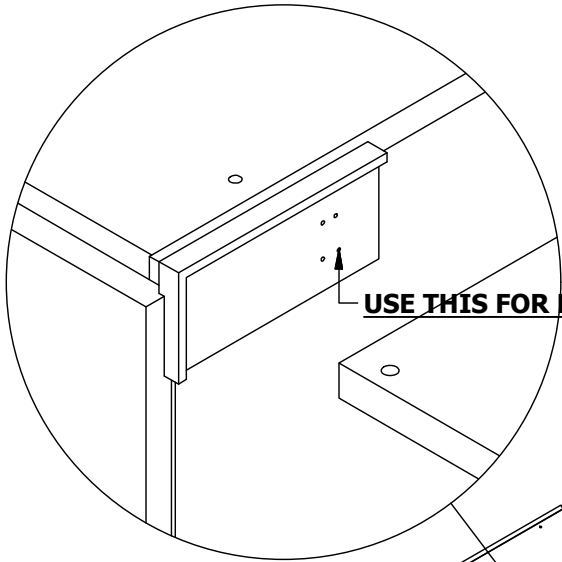


FIG. 1

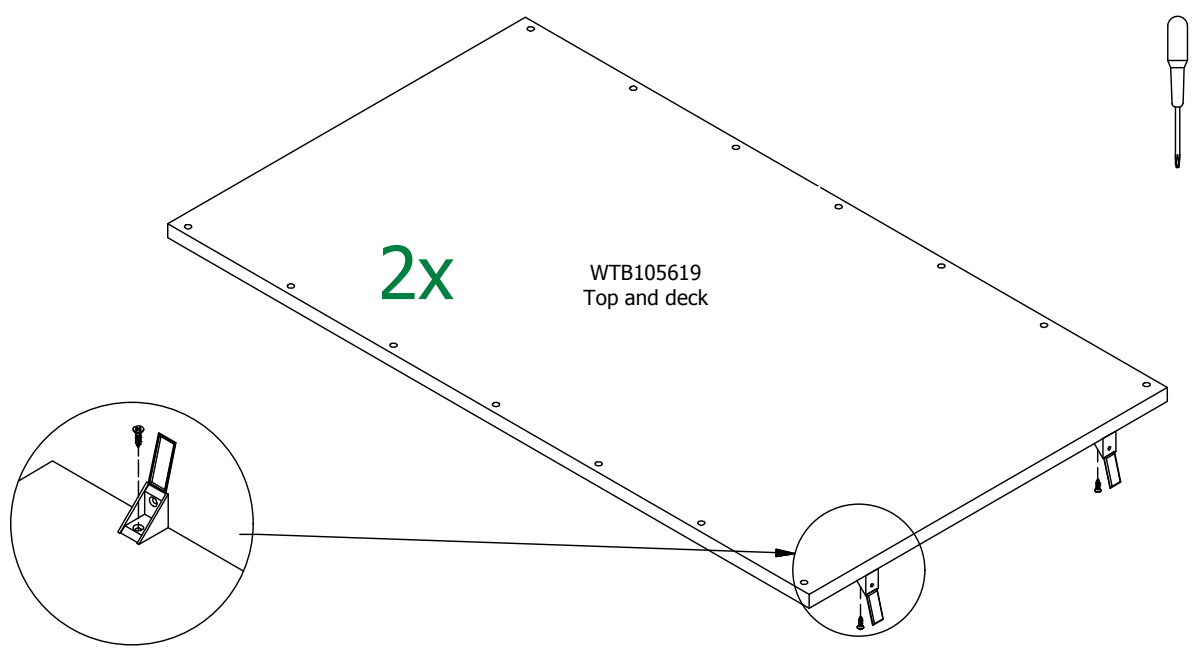


FIG. 2

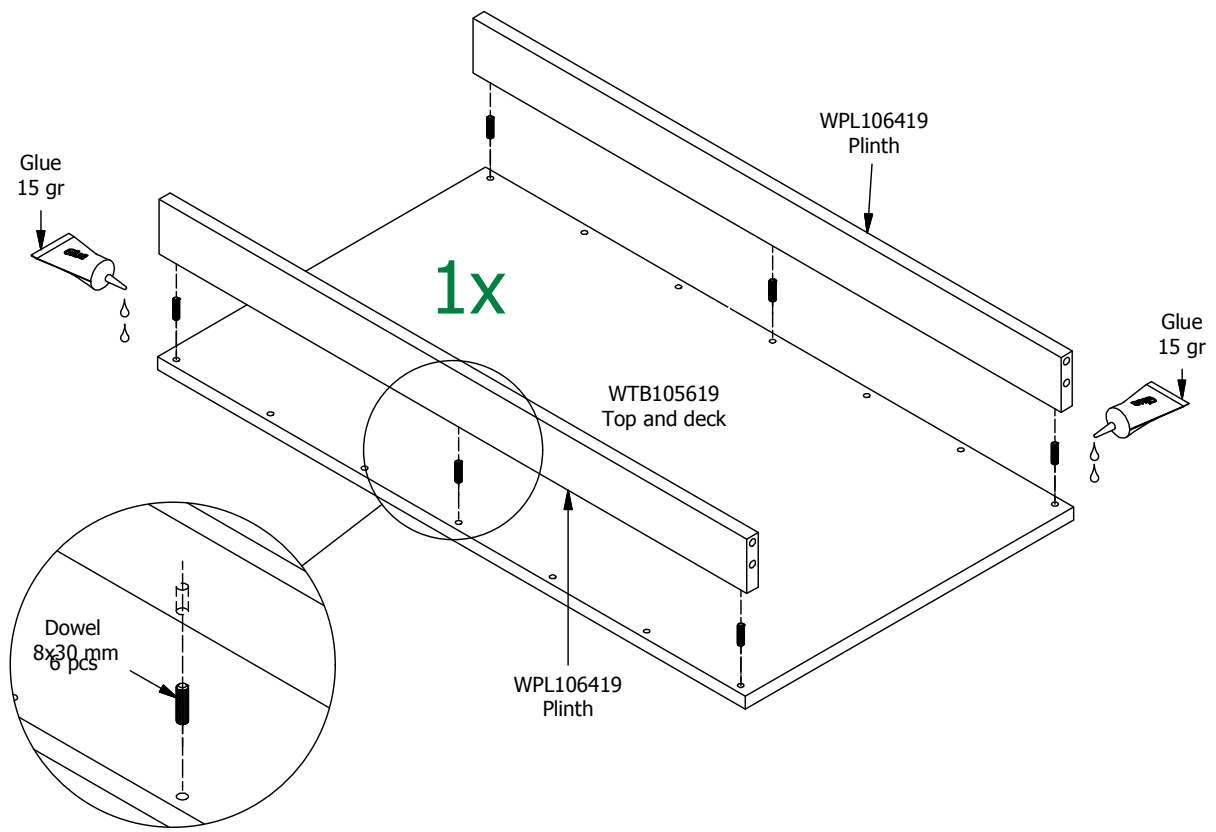


FIG. 3

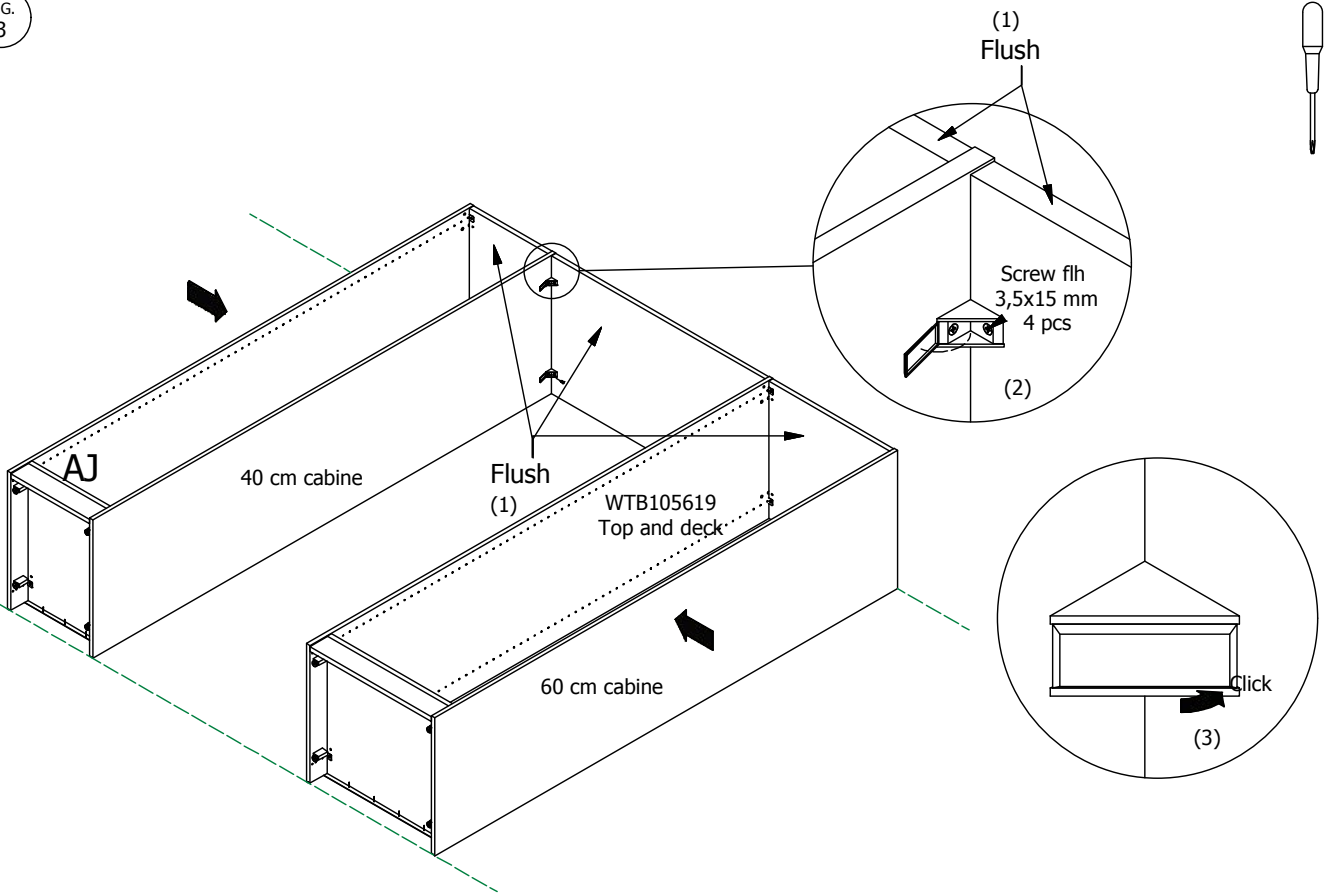
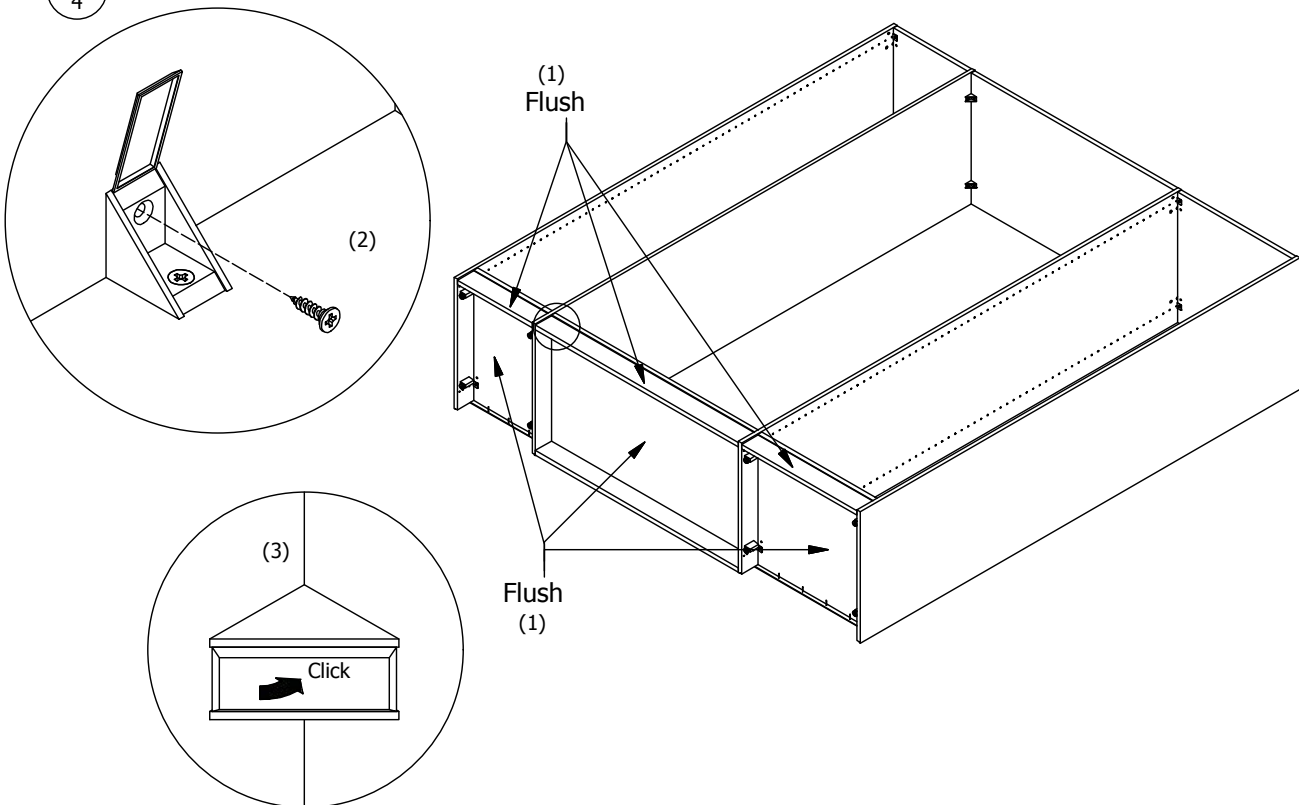
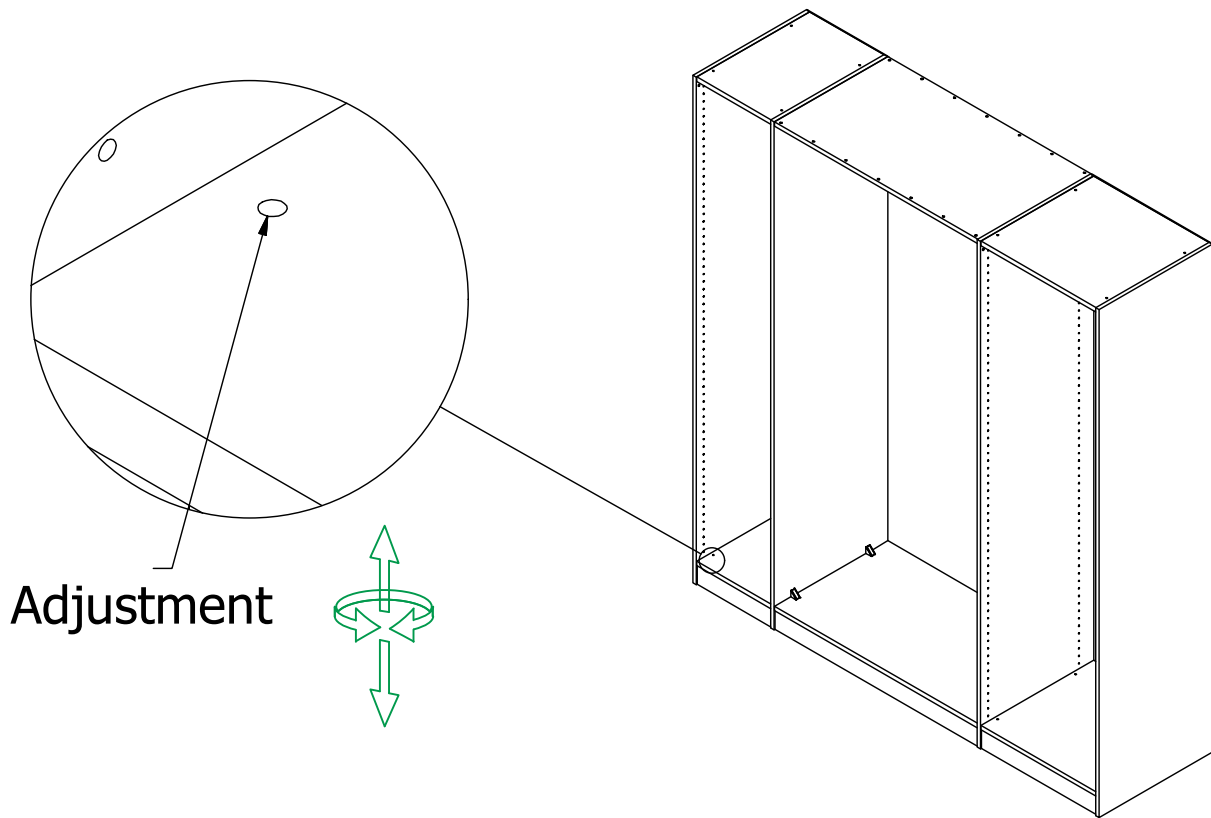
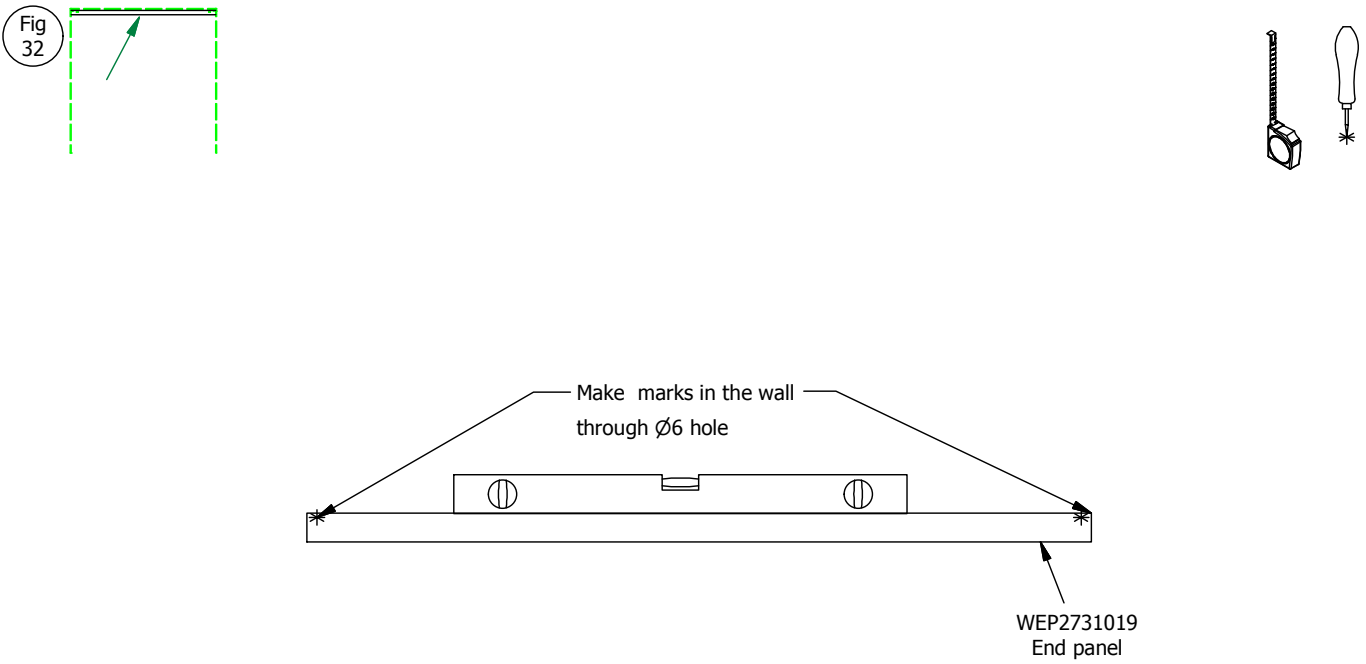
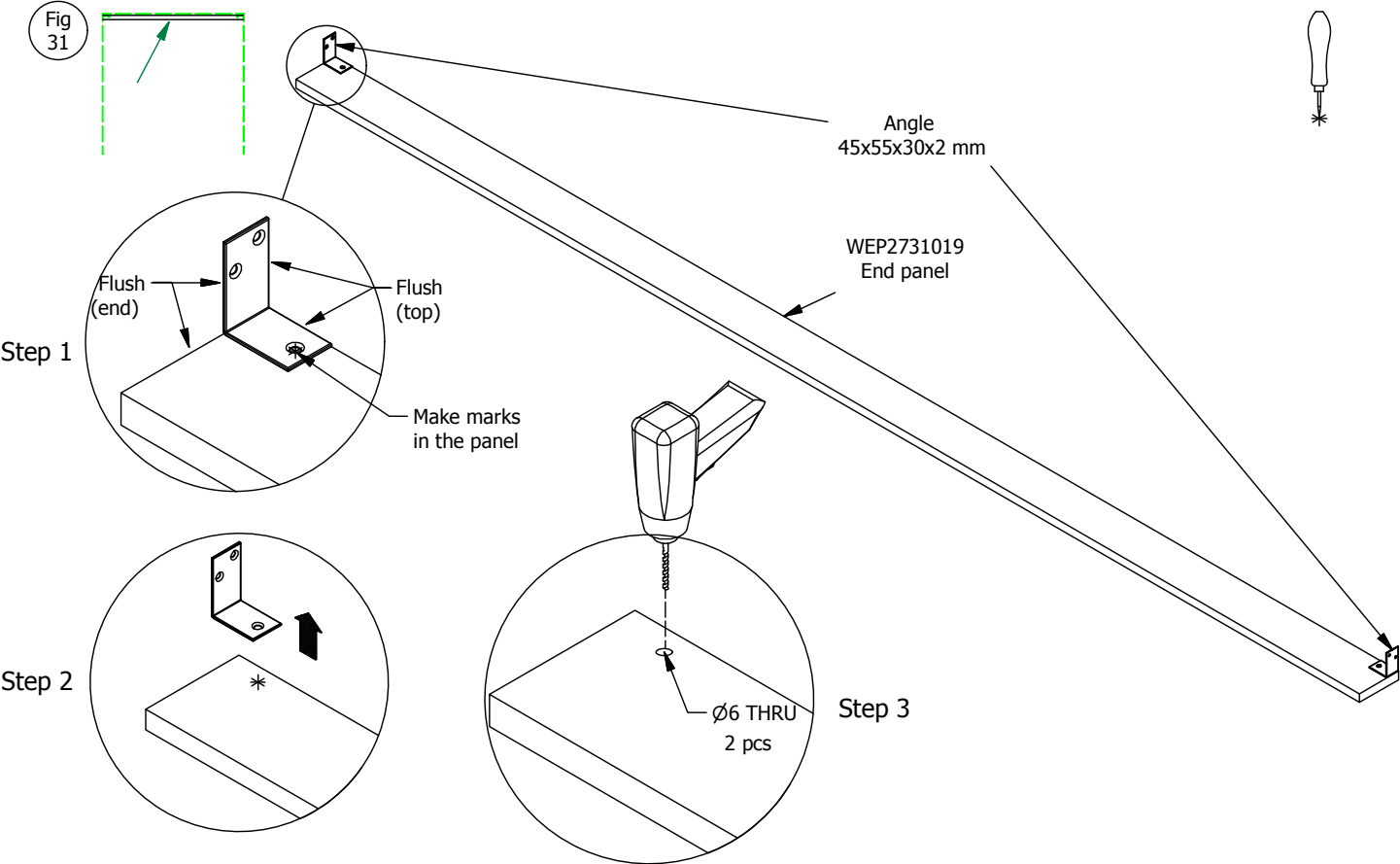


FIG. 4





Module16 Mounting instruction



Module 16

Mounting instruction

Fig 33

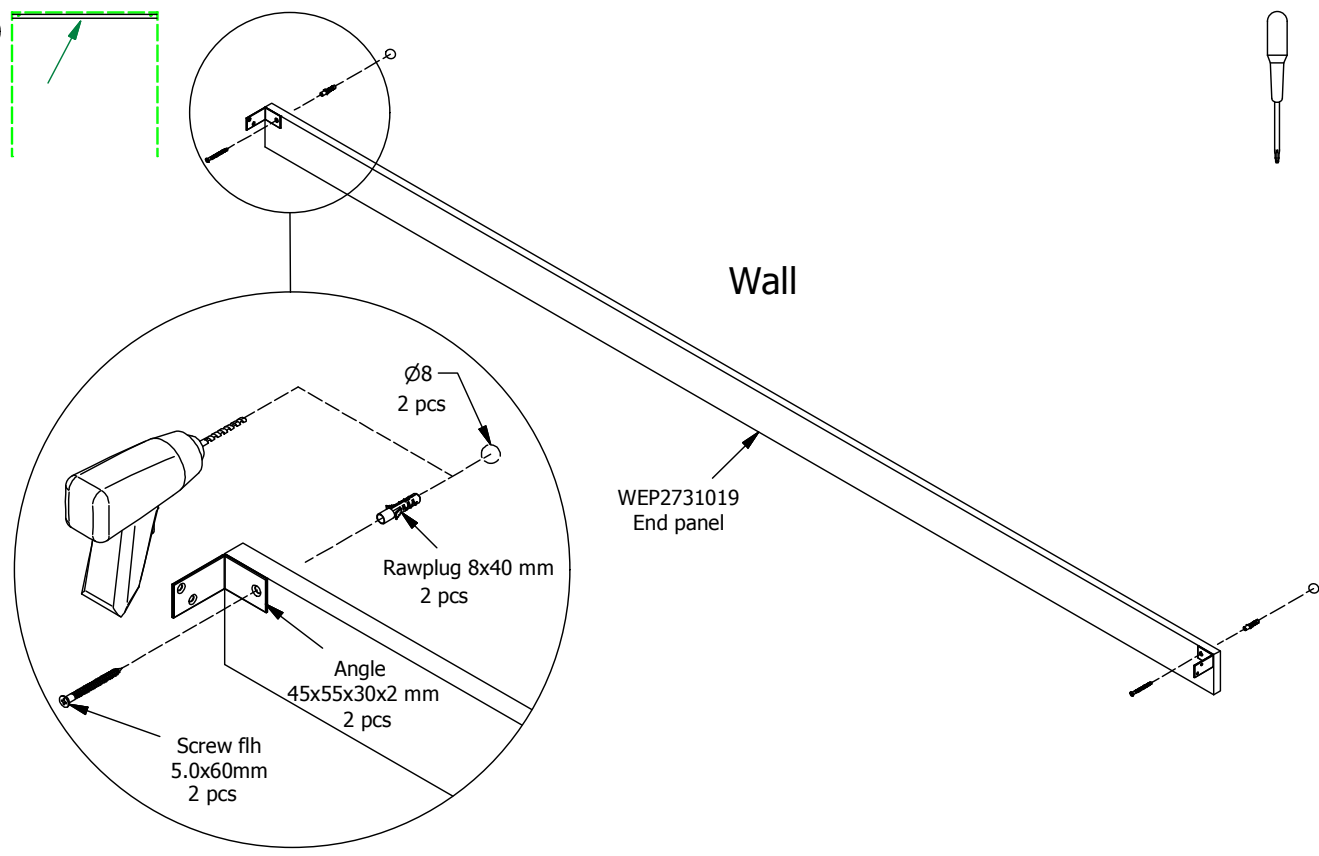
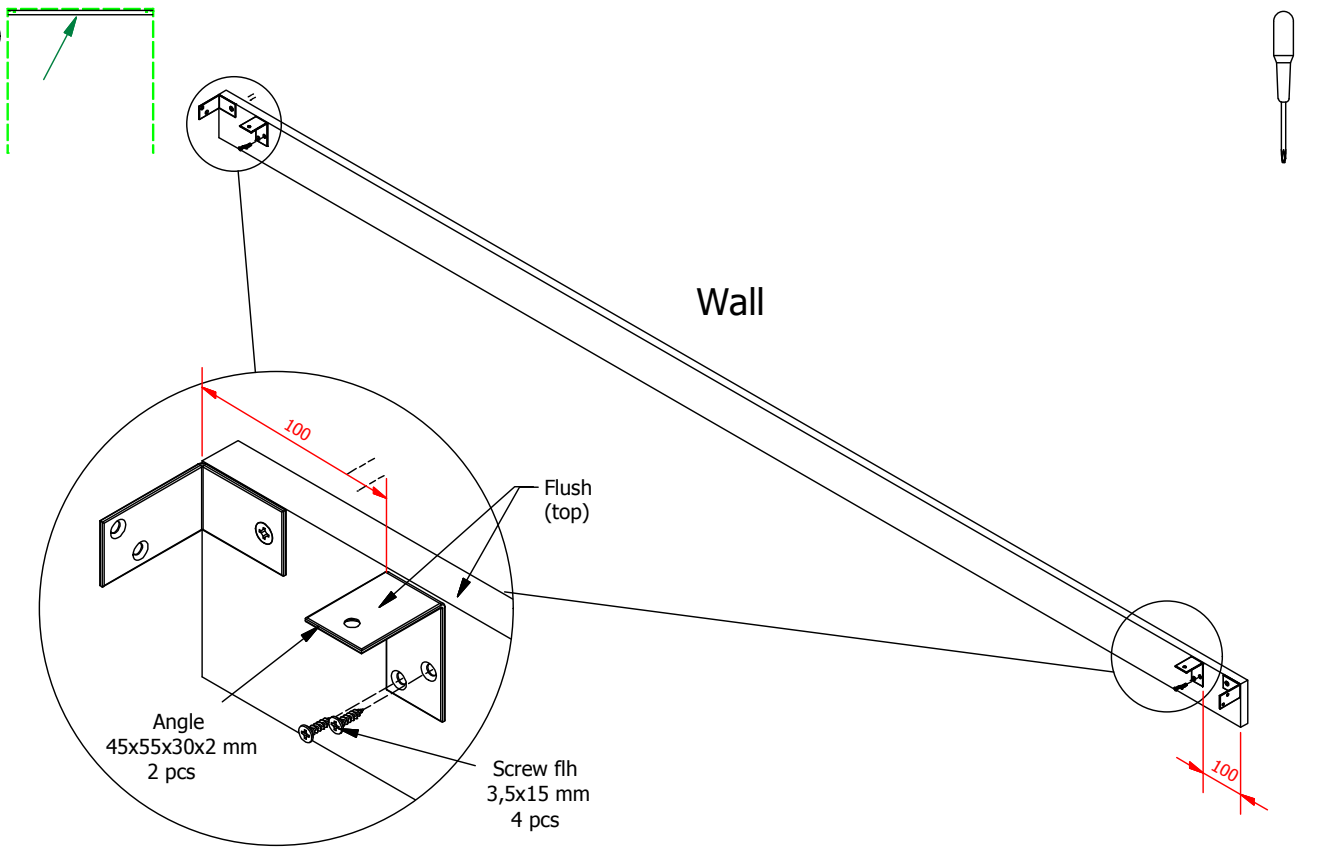
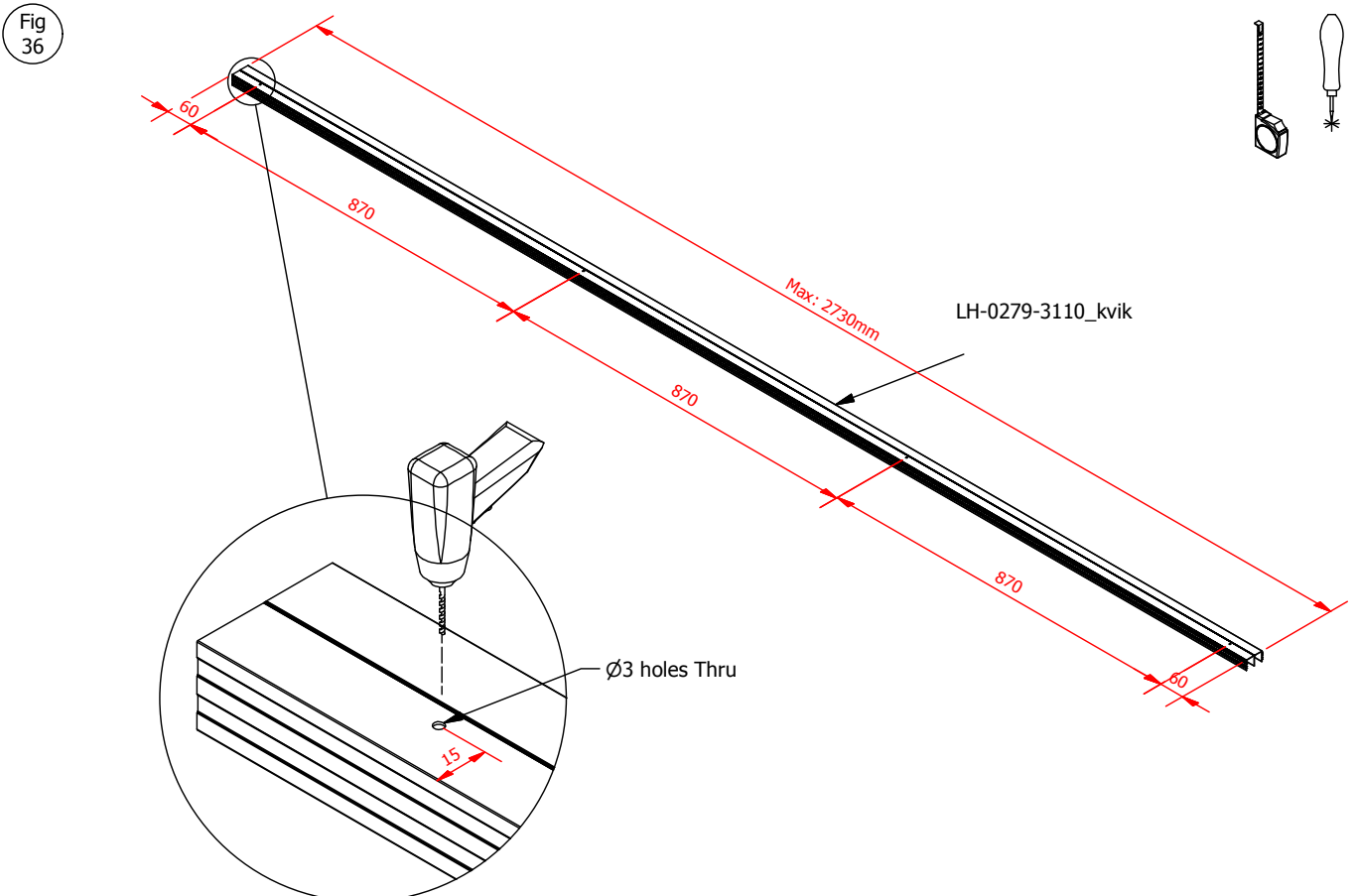
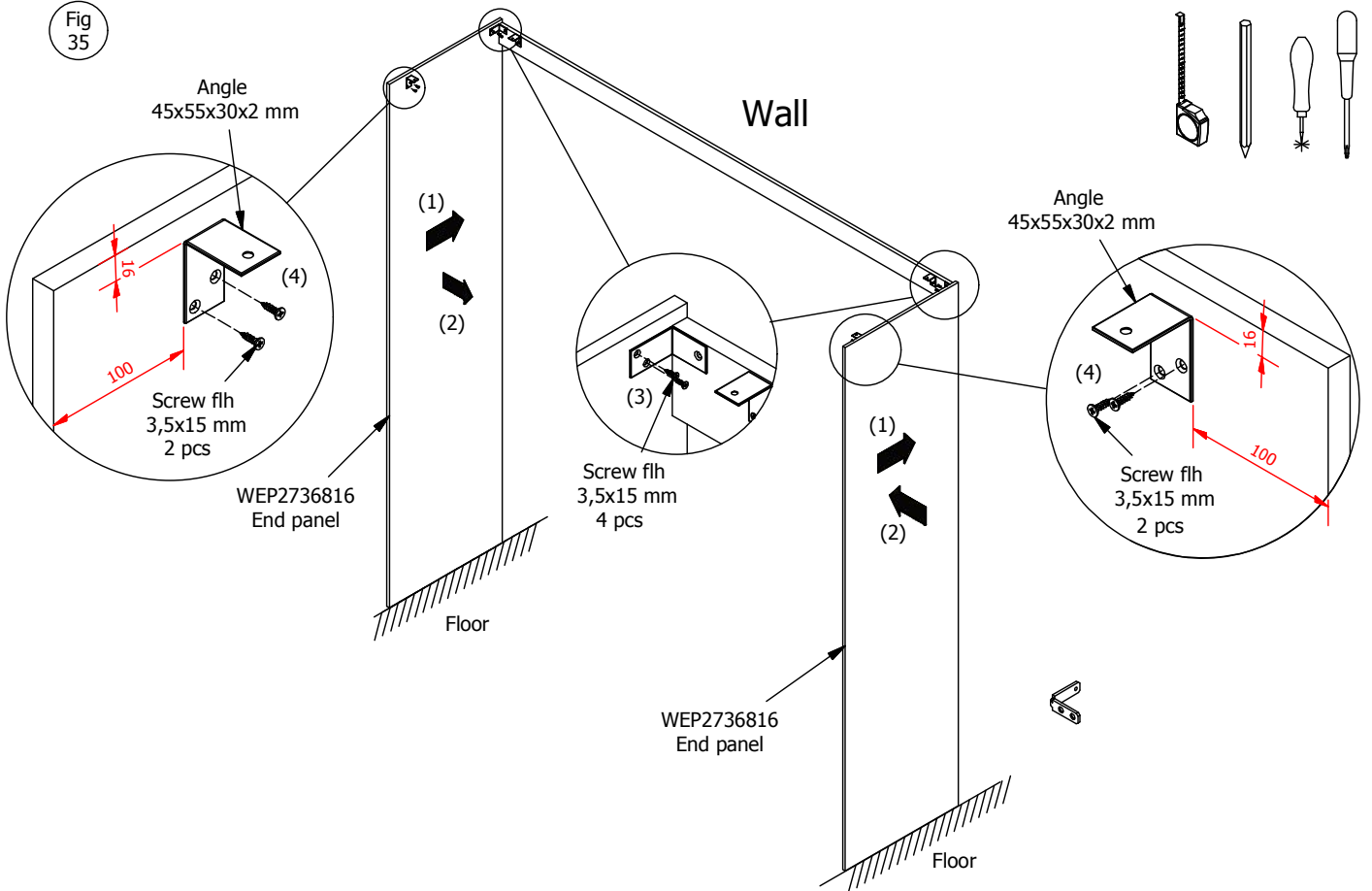


Fig 34



Module 16

Mounting instruction



Module 16

Mounting instruction

Fig 37

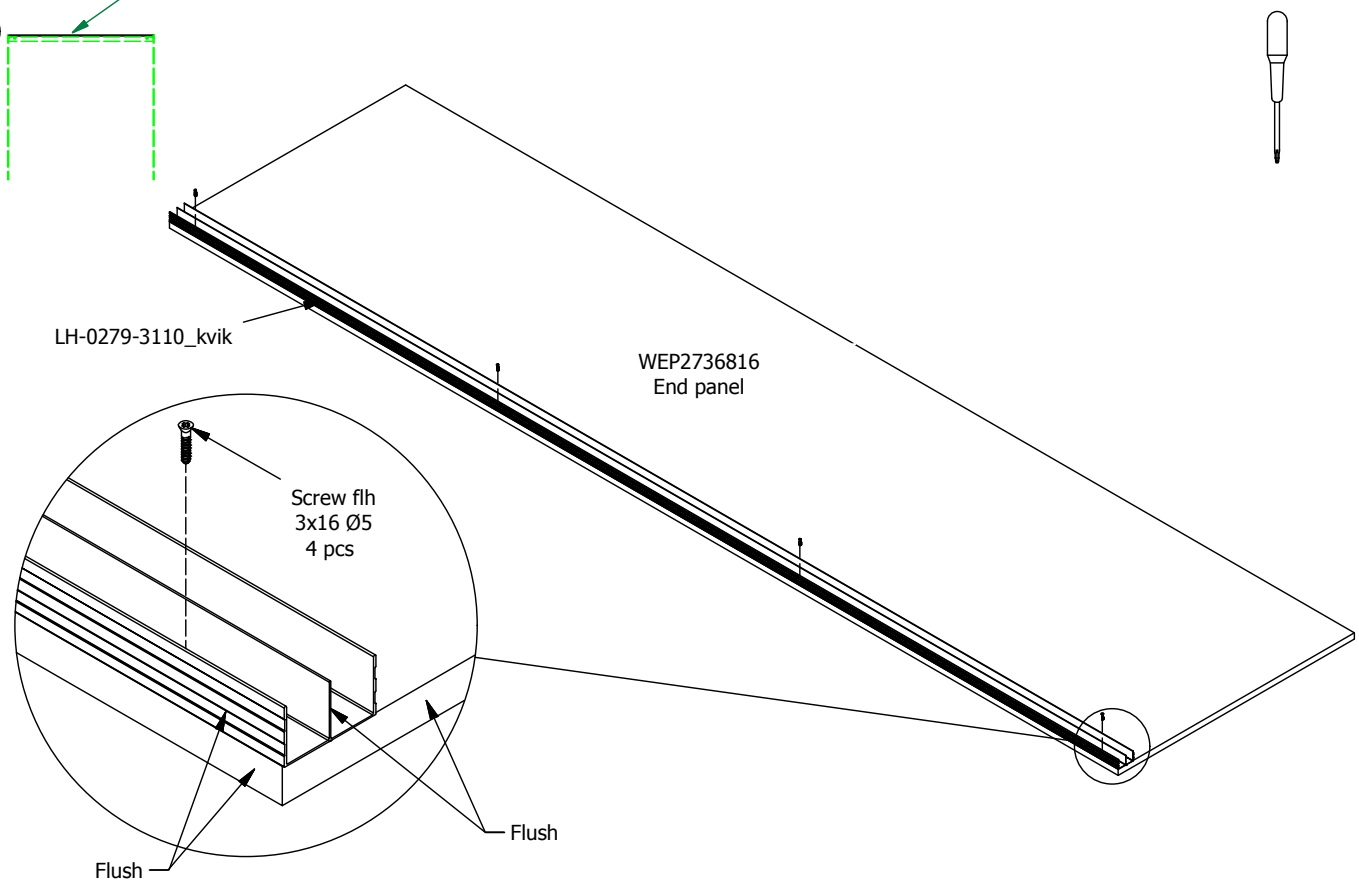


Fig 38

